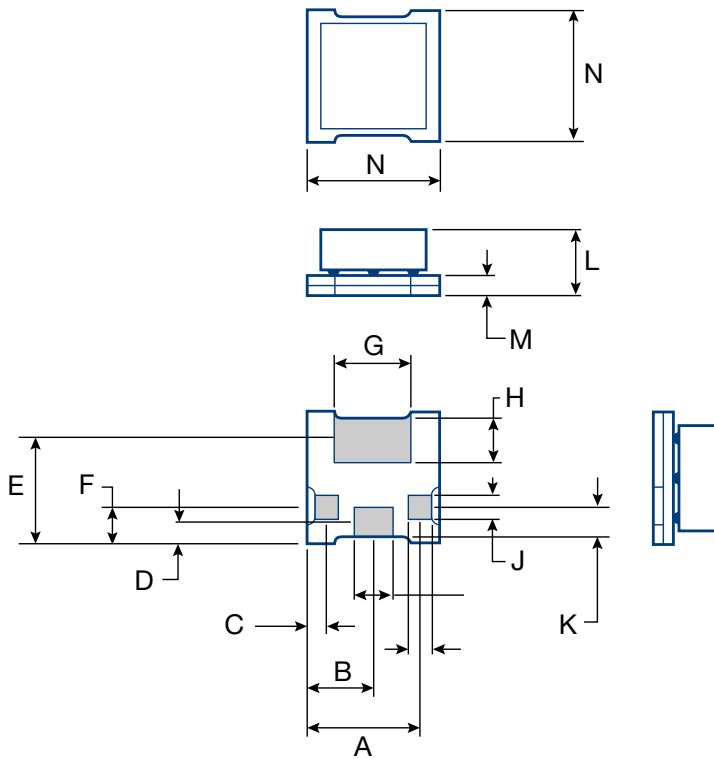
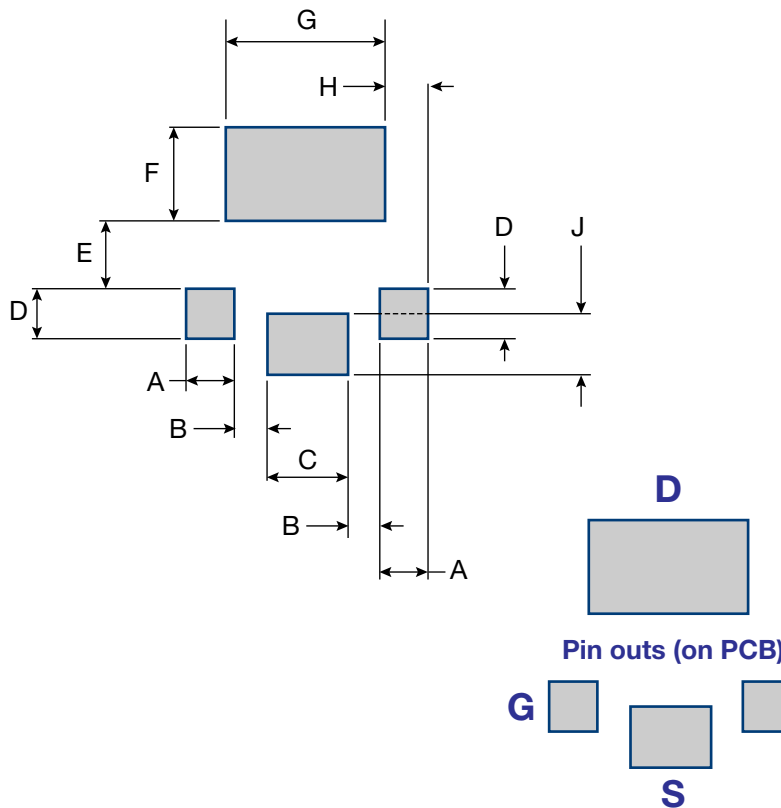


Package Outline and Dimensions



| Symbol | Inches | Millimeters | Note |
|--------|--------|-------------|-----------|
| A | 0.087 | 2.210 | |
| B | 0.050 | 1.270 | |
| C | 0.014 | 0.356 | |
| D | 0.017 | 0.432 | |
| E | 0.081 | 2.057 | |
| F | 0.028 | 0.711 | |
| G | 0.059 | 1.50 | |
| H | 0.033 | 0.838 | |
| J | 0.020 | 0.508 | |
| K | 0.023 | 0.584 | |
| L | 0.047 | 1.194 | Ref. only |
| M | 0.015 | 0.381 | |
| N | 0.100 | 2.540 | |

CDA7 Footprint for Printed Circuit Board Design



| Symbol | Inches | Millimeters | Note |
|--------|--------|-------------|------|
| A | 0.018 | 0.457 | |
| B | 0.012 | 0.305 | |
| C | 0.030 | 0.762 | |
| D | 0.020 | 0.508 | |
| E | 0.025 | 0.635 | |
| F | 0.033 | 0.838 | |
| G | 0.060 | 1.524 | |
| H | 0.016 | 0.406 | |
| J | 0.023 | 0.584 | |